



INSTALLATION GUIDE

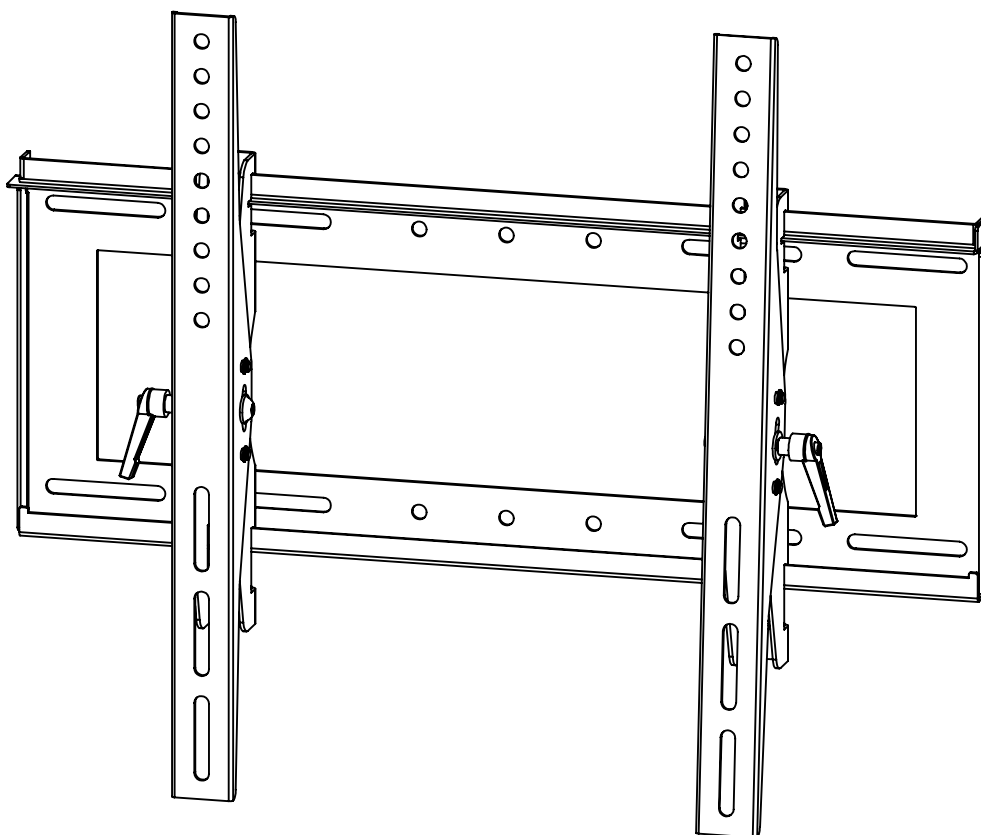
Flat Panel Mount

BTTL1/52

Support 32" to 52" Screens

Max Load Capacity: 125 lbs (57 kg)

VESA 100x100 / 100x200 / 200x200 / 400x500 compatible



Installation Instructions

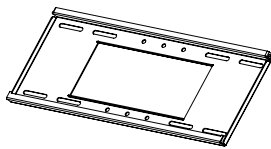
Model Name: BTTL1/52

32"-52" UNIVERSAL TILT WALL MOUNT

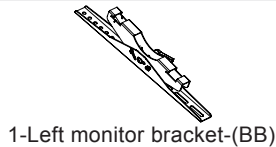
Important Notes

- The 32"-52" Universal Tilt Wall Mount supports LCD and supports a maximum load of 57 kg (125 lbs), adjustable wide range tilt: +5°/-15°.
- The manufacturer does not accept responsibility for incorrect installation.

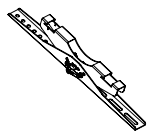
Component Checklist



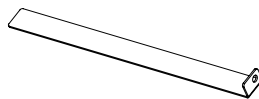
Wall Plate



1-Left monitor bracket-(BB)



1-Right monitor bracket-(CC)



Security Bracket

TOOLS REQUIRED:

- Power Drill
- 10mm or 6mm Drill Bit
- Phillips Head Screw Driver
- Spirit Level
- 13mm (1/2") Socket Wrench or Shifter

Bits Bag



φ 8.2X1.5X φ 16 iron spacer(x4)



25.65x25.65x2.5 square spacer(x4)



φ 12.7X φ 6.0X12.7 Spacer(x4)



φ 19X φ 8.2X19.6 Spacer(x4)



concrete anchor M8X50(x4)



M8X70 outside the hexagonal self-tapping screws(X4)



pan head screw

- | | |
|---------|-----------|
| M8x35mm | (x4 each) |
| M8x16mm | (x4 each) |
| M6x30mm | (x4 each) |
| M6x16mm | (x4 each) |
| M5x30mm | (x4 each) |
| M5x16mm | (x4 each) |

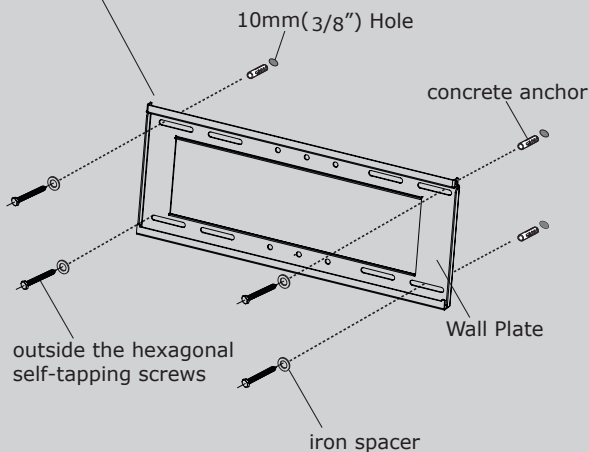
I
H
G
F
E
D

A Mounting the Wall Plate

Masonry Wall

Note: Ensure the Wall Plate is mounted with the folded tabs pointing upwards.

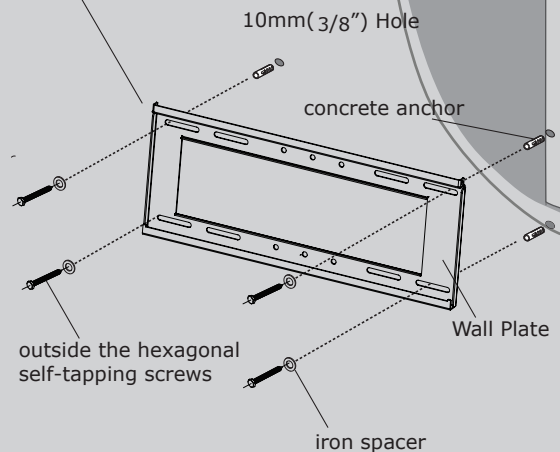
TIP: Use a spirit level to ensure the Wall Plate is horizontal



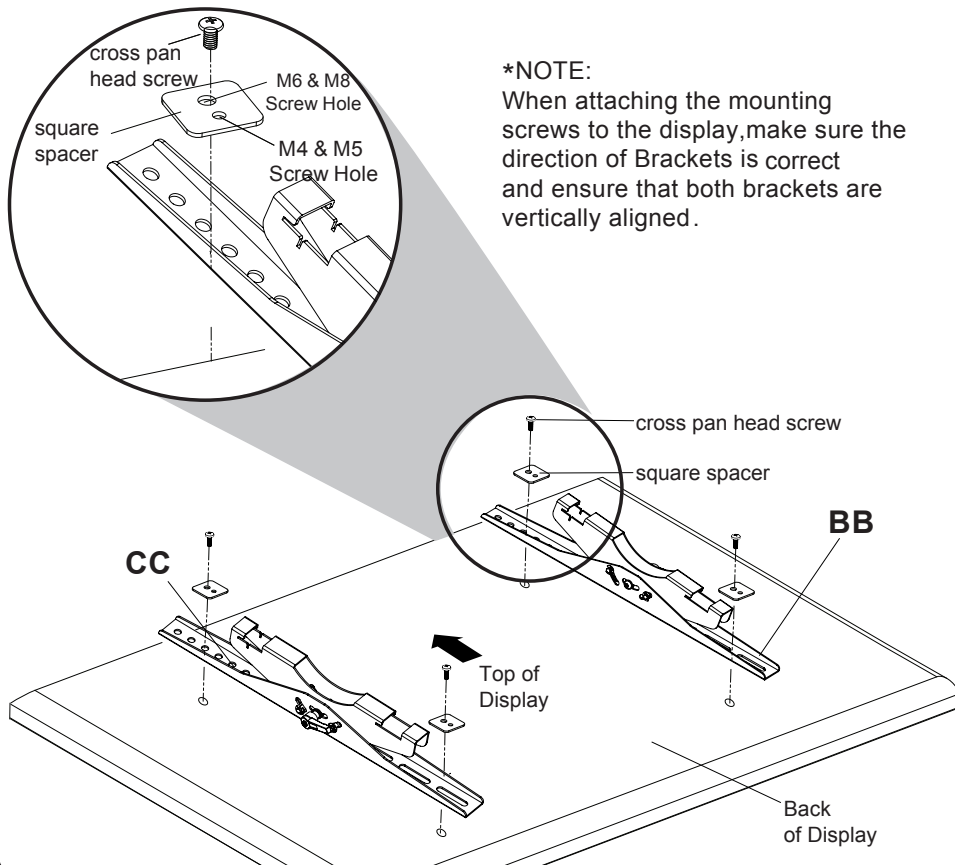
OR

Timber Stud Wall

Note: Ensure the Wall Plate is mounted with the folded tabs pointing upwards.



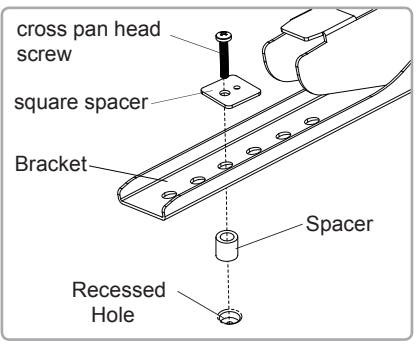
B Mounting the Display Brackets



*NOTE:

When attaching the mounting screws to the display, make sure the direction of Brackets is correct and ensure that both brackets are vertically aligned.

Recessed Mounting Holes. If the mounting holes are recessed into the back of the display, use the supplied spacers to pack the recessed hole. If the mounting screw is M4 & M5 & M6, use the $\phi 12.7 \times \phi 6.0 \times 12.7$ mm Spacers. If the mounting screw is M8, use the $\phi 19 \times \phi 8.2 \times 19.6$ mm Spacers. Ensure that the brackets are securely fixed to the display.

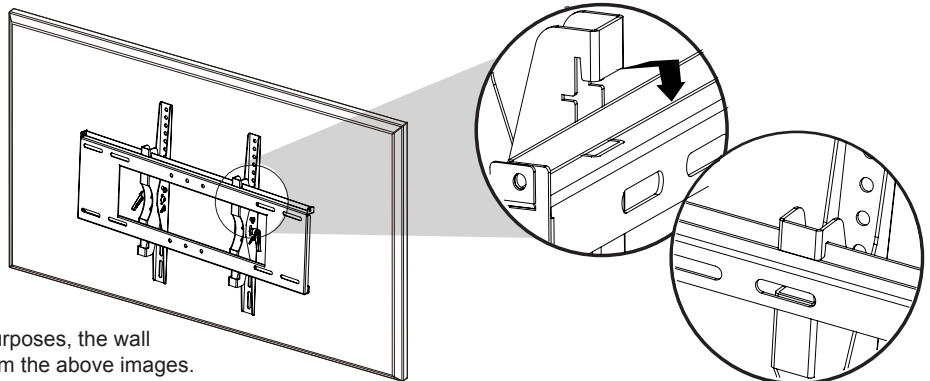


C Attaching the display to the wall plate

Note: This procedure will require two persons

With the Brackets attached to the display, lift the display and hook the brackets onto the Wall Plate as shown.

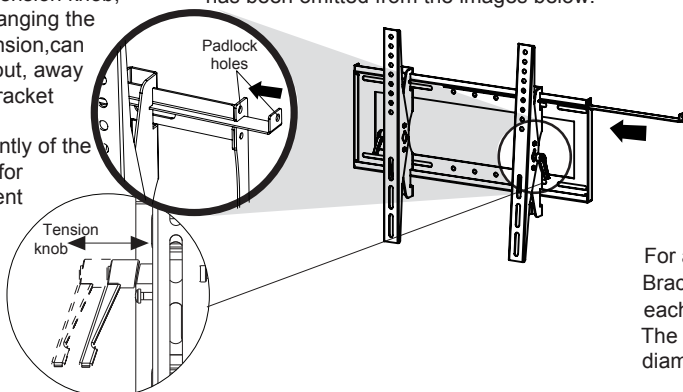
Note: For demonstration purposes, the wall has been omitted from the above images.



D Security Option

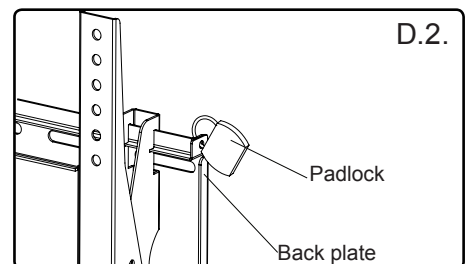
D.1.

Note: The tension knob, without changing the bracket tension, can be pulled out, away from the bracket and turned independently of the knob post for readjustment



Note: For demonstration purposes, the display has been omitted from the images below.

D.2.



For additional security, it is suggested that the Security Brackets be inserted and a Padlock attached through each Security Bracket and the Wall Plate as shown. The Padlocks (not supplied) should have a shackle diameter no larger than 5mm (3/16").