



INSTALLATION GUIDE

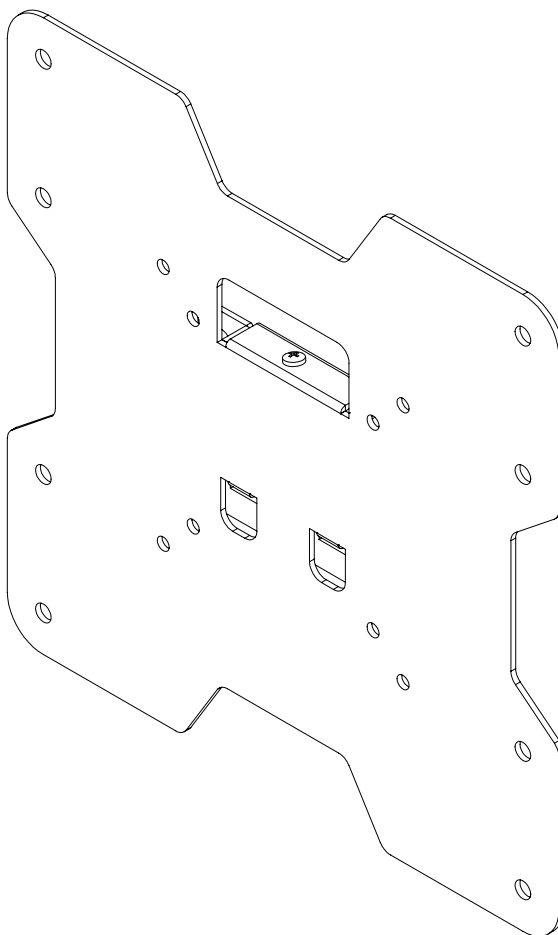
Flat Panel Mount

BTFX1/37

Support 24" to 37" Screens

Max Load Capacity: 80 lbs (36 kg)

VESA 75x75 / 100x100 / 200x100 / 200x200 compatible



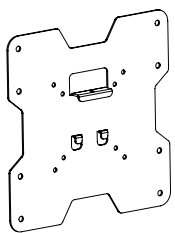
Installation Instructions

Model Name: BTFX1/37 Universal Wall Mount
Flat panel 24"-37"

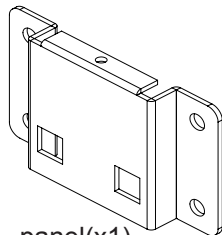
Important Note:

- This bracket supports plasma, LCD displays, the maximum loading capacity is 80lbs.
- VESA: 75x75(3"x3") 100x100 (4"x4") 100x200 (4"x8") 200x200 (8"x8") compatible.

Component Checklist:



Front plate(x1)



panel(x1)

Parts List



A Outer hexagonal screws M6x50 (x4)



B concrete anchor (x4)
M6x40



C M6x20 (x4)
Cross pan head screw



D M6x16 (x4)
Cross pan head screw



E M5x20 (x4)



F M5x16 (x4)



G M4x0.7x20mm (x4)



H M4x0.7x10 (x4)

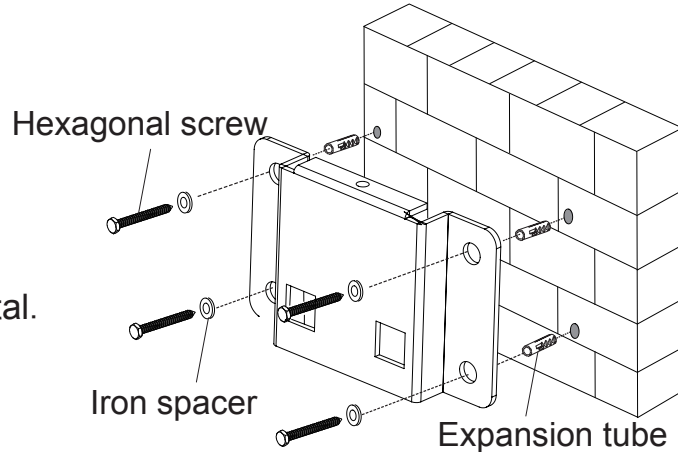


A Iron spacer (x4)
φ 6.2 x φ 16 x 1.5

Cross pan head screw

Ⓐ Mounting the wall plate

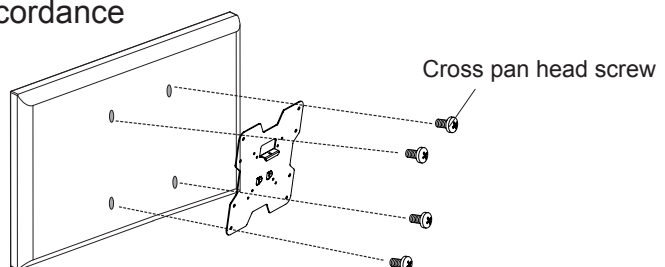
NOTE: Use a level to ensure the wall plate is horizontal.



Ⓑ Fix the front plate on the display screen

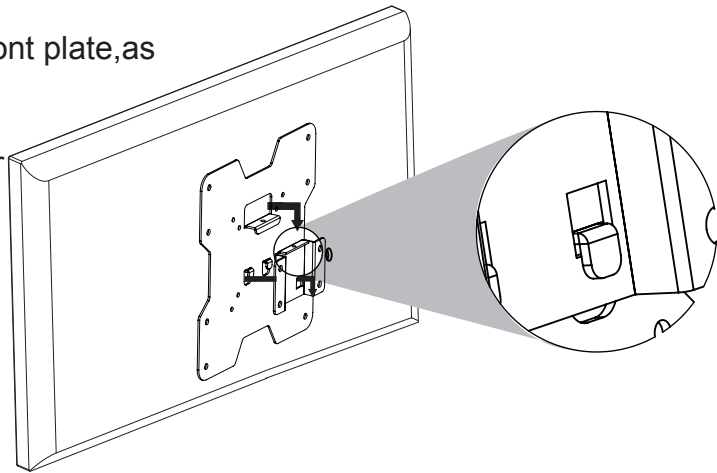
NOTE: Make sure the installation in accordance with following pictures.

VESA: 75x75 / 100x100 / 100x200 / 200x200

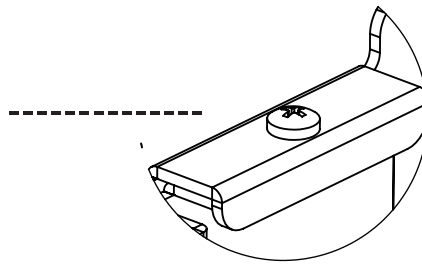
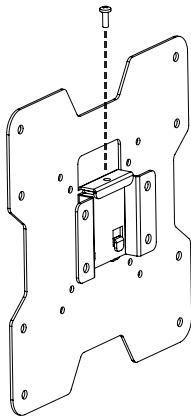


© Put the front plate on the wall panel

- Hang the locked screen on the front plate, as shown in the right picture.
- Be careful when you operate this bracket, or you may damage your screen.



© Fix the wall plate and front plate



- After the locked front plate is hanging on the wall plate, use a M4X12 cross pan head to fix these two parts.